

# FloRight Dissolve

## Limited entry liner dissolvable nozzle

Dissolvable nozzle for isolating tubing and annulus during run in hole.

LEL (Limited Entry Liner) is a lower completion design concept in which a solid liner with small pre-drilled holes is deployed. TAQA has designed and qualified a dissolvable nozzle, to be utilised for such an application based on TAQA's extensive experience of designing, manufacturing and installing a range of Inflow Control Devices.

Based on the FloRight valve, the FloRight Dissolve includes a dissolvable insert. This provides operators the timings required for completion of wellsite operations without intervention and can hold pressure from Liner ID to OD up to at least 2500psi and from Liner OD to ID of at least 500psi. The nozzles size can be configured from 2mm to 6mm and between 1 to 4 nozzles installed per joint.

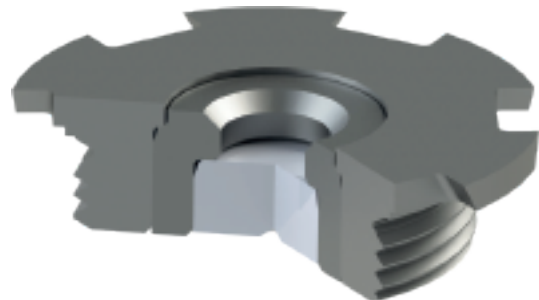
The dissolvable technology can successfully isolate tubing and annulus for operational purposes while run in hole and during initial breaker displacement operation. The dissolvable material is designed to be able to dissolve without intervention in water-based fluids within a timeframe of between 8hours and 14 days.

### Features

- Metal to Metal (MTM) and Teflon insert to seal between the nozzle and the base pipe
- Nozzle design is flush mounted to ID and OD of the pipe
- Dissolves in acid and brines

### Benefits

- Dissolvable insert can be tailored to meet operational timings and fluid chemistry
- Dissolves without intervention



## Technical Specification

Material - valve body	Alloy 718
Material - insert	Dissolvable Alloy
Number of nozzles	1-4
Nozzle sizes	2mm to 6mm
Dissolvable timing	24hours up to 14days depending on operational requirements